

## DCW 2004 B / Item no.: 1025



The DCW 2004 B is a Bias-T with included Sequencer. It allows a comfortable remote coupling of our preamplifiers from the SP and MHP series via the coaxial cable. It also supports delayed switching of HF-linear amplifiers.

The sequential operation of the DCW 2004 B avoids any damage to the preamplifier that may be caused by RF-spikes during switching. It offers a total of 3 switching outputs with ascending delay times. So not only linear amplifiers but other devices, like transverters, can be switched on with defined times.

The DCW 2004 B is mainly designed for the amplifiers SP 600, MHP 600 (6m band), SP 200, MHP 200 (2m band), SP 70, MHP 70 (70 cm band) and SP 23 (23 cm band). The PTT switching input of the DCW 2004 B accepts a circuit against ground or against + 5 ... 12 V. The preamplifier and a linear amplifier (if used) can be switched on or off as required. The HF-section of the DCW 2004 B offers a very low insertion loss and a high shielding factor.



### Technical Data

Operating voltage	12 – 14 V
Frequency range	6 m, 4 m, 2 m, 1.25 m 70 cm, 33 cm, 23 cm
Power load	6 m / 1500 W WSJT 2 m / 1500 W WSJT 70 cm / 800 W WSJT 23 cm / 400 W WSJT
Insertion loss	0.1 dB
Preamplifier voltage	13,8 V max 0,5 A load
PTT switching output	30 V at 0,5 A max.
Relay switching output	30 V at 0,5 A max.
- PTT input	switches at < 2 V
+ PTT input	switches at > 5 V
Dimensions	140 x 120 x 53 mm

### Installation

The only outdoor wiring is the insertion of the preamplifier as close as possible to the antenna feeding point. In the shack the end of the downleading cable has to be connected to "PREAMPLIFIER". Please note that no filters or similar devices may be inserted, as that would influence the direct voltage transfer to the preamplifier! At the socket „TRX (PA)“ the HF-output of a transceiver or power amplifier can be connected. At the Sub-D socket the DC wiring has to be proceeded as described in the wiring diagrams on the subsequent page. Very long coaxial cables may prevent the safe switching of the preamplifier due to potential drop, especially at low outside temperatures. Therefore we recommend no operating voltage of less than 13.8 Volt at the coupler!

### Operation with a linear amplifier

For operation with a linear amplifier the DCW 2004 B is equipped with a PTT-switching output, which adds the final stage with a defined delay. At the PTT switching output (point 5 of the SUB-D socket) an Open-Collector switching output is available, which can direct a max. current of 500 mA to ground. Hence it is secured that the preamplifier is switched off before any transmitting power is activated.

**Important: Please make sure to disable a HF-VOX control that might be built-in to your final amplifier!**

The DCW 2004 B offers three outputs in total which have ascending latency times. These switching outputs can, for example, be used for activating further relays, what may be of help for more complex systems.

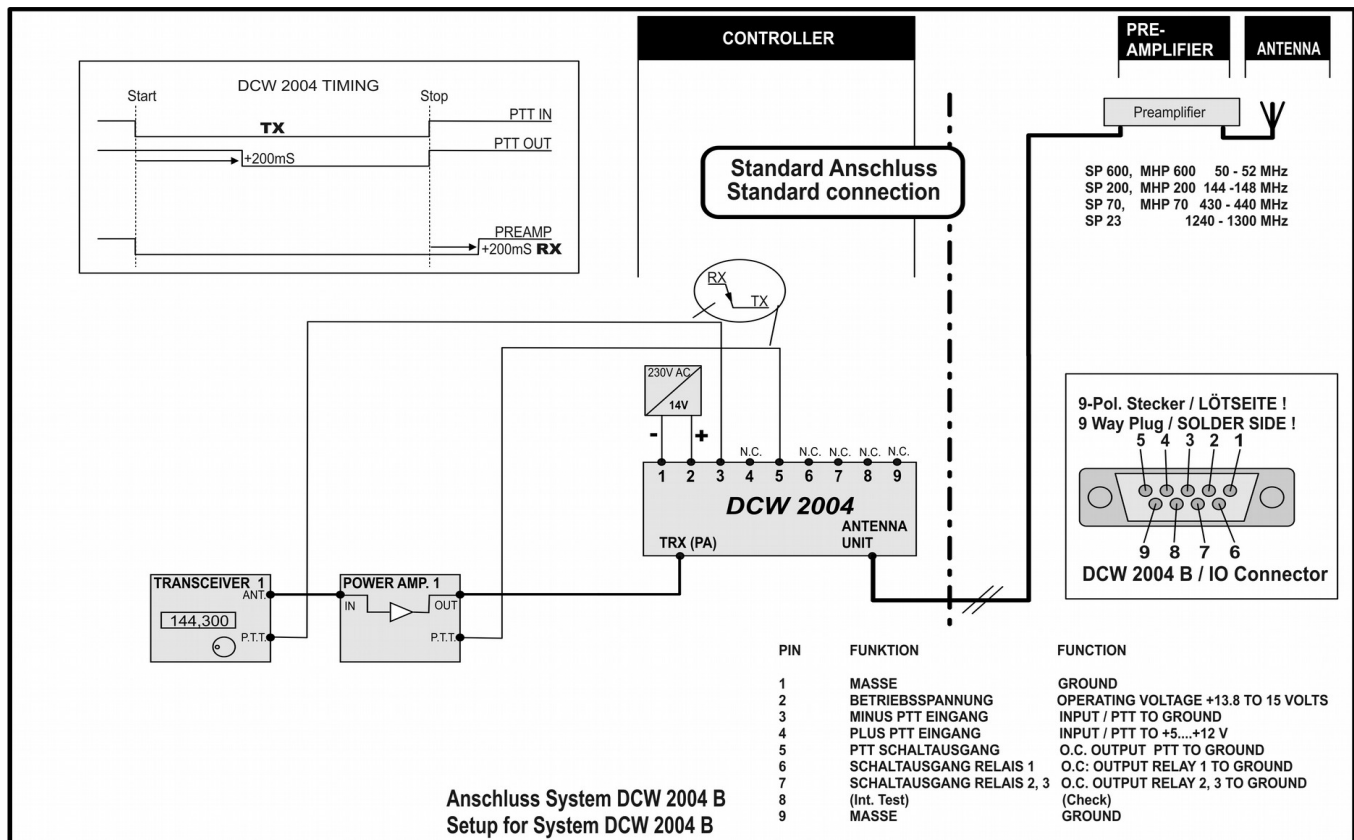
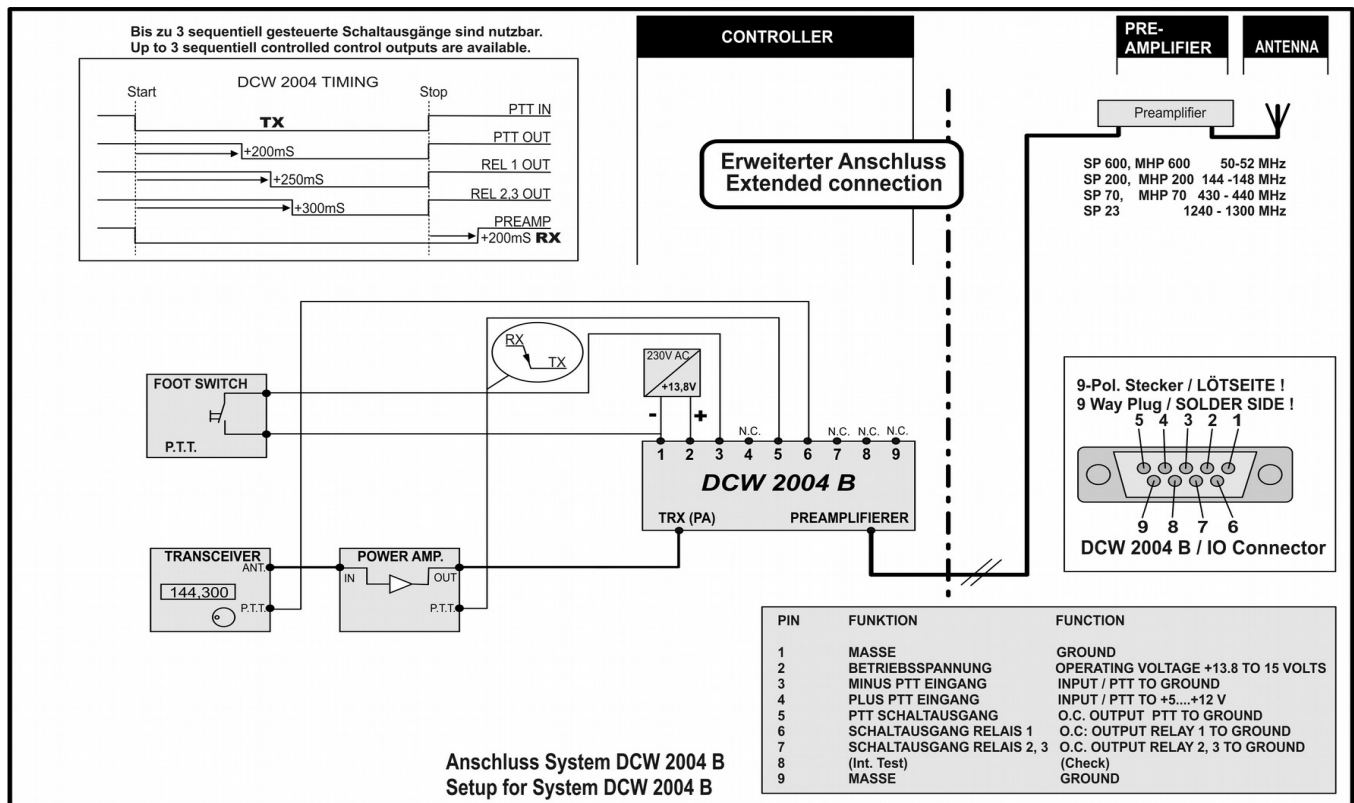
### Operation of the remote feeding coupler

After switching on the operating voltage, a short circuit test of the electrical connection to the remote antenna switch is carried out. When wiring is recognized as ok, the unit is switched on using factory default settings: Preamplifier and final amplifier are activated. When switched on again, the unit will start with the settings chosen before (last state function). In case of a short the right LED "PreAmp" blinks quickly. However, a break of the line cannot be recognized!

# Data sheet



DCW 2004 B / Item no.: 1025



# Data sheet



DCW 2004 B / Item no.: 1025

---

## Notes on environmental protection



Electrical and electronic devices may not be disposed of with household waste. This must be handed in separately at collecting points or returned to the point of sale. Packaging materials must be separated and disposed of through the municipal waste by material type.

## Maintenance

Do not open the unit. It does not contain any parts needing maintenance. If you need help regarding technical matters, please contact [support@ssb-electronic.com](mailto:support@ssb-electronic.com).

## Safety, Warranty

Not suitable for children! The packaging material and the device may contain small parts which may be swallowed. Repairs may only be performed by qualified personnel.

Opening the device, or improper use will void any warranty claims. No guarantee will be given.

The device applies to the Low Voltage Directive 2006/95/EG, as well as to 2004/108/EG, 2002/96/EG, 1999/44/EG.

## Declaration of Conformity



The CE mark is a free trade mark. It does not guarantee any product features. The product does apply all relevant regulations within the guidelines of 73/23/EWG, 89/336/EWG und 99/5/EG of the Council.

Manufacturer: SSB-Electronic GmbH,  
Am Pulverhäuschen 4, 59557 Lippstadt/Germany

Technical changes are reserved. Contents of this document are the intellectual property of SSB-Electronic GmbH. Reproduction is only permitted with the express written approval.

## How to contact:

E-Mail: [support@ssb-electronic.com](mailto:support@ssb-electronic.com)  
Phone: +49 (0) 2941-93385-0  
WWW: [ssb-electronic.com](http://ssb-electronic.com)