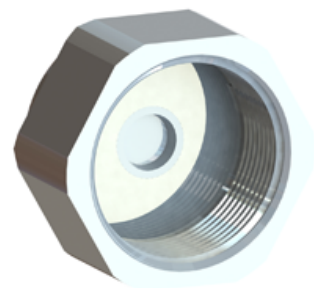




Blind cover for connector 4.3-10 Female with sealing

FEATURES / BENEFITS



Technical features

STRUCTURE

Product Line		Coaxial Cable Components
Product Type		Coaxial Adapter
Coaxial Cable Type		Foam Dielectric, Ultraflexible Foam Dielectric, Radiating Cable
Connector Interface		4.3-10 Female

MECHANICAL SPECIFICATIONS

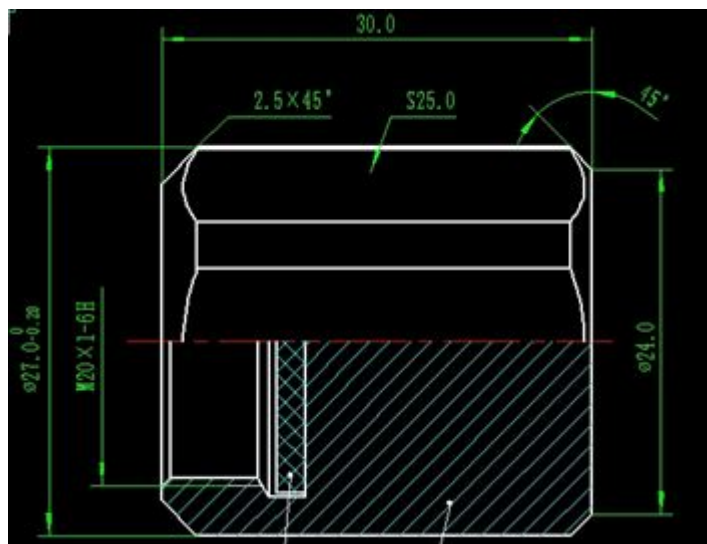
Configuration		Cover (blind) for 4.3-10 Female
Body		Copper alloy, Trimetal plated
Gasket		Rubber
Sealing class		IP68

TEMPERATURE SPECIFICATIONS

Operation Temperature	°C (°F)	-45 to 85 (-49 to 185)
-----------------------	---------	------------------------

PACKAGING INFORMATION

Package Quantity		1
------------------	--	---



External Document Links

Notes