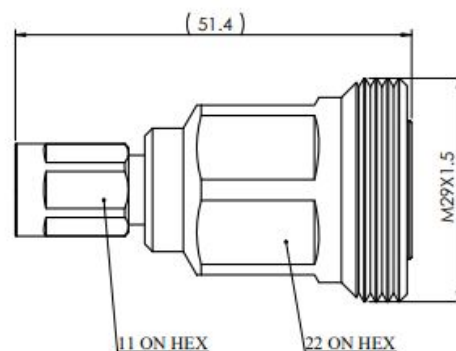




Coaxial Adapter, 7-16 Female / NEX10 Male

FEATURES / BENEFITS



Technical features

STRUCTURE

Product Line		Coaxial Cable Components
Product Type		Coaxial Adapter

MECHANICAL SPECIFICATIONS

Connector A		7-16 Female
Center Contact Connector A		Copper, silver plated
Outer Contact Connector A		Copper, Tin-Zinc plated
Connector B		NEX10 Male
Center Contact Connector B		Copper, silver plated
Outer Contact Connector B		Copper, Tin-Zinc plated
Dielectric		PTFE
Sealing class		IP68, connected

ELECTRICAL SPECIFICATIONS

Frequency Range - MHz		DC - 6000
VSWR, Return Loss	VSWR (dB)	DC TO 6GHz VSWR 1.13 (24.29)
Insertion Loss, dB (Max)	dB	0.05
3rd Order IM Product @ 2x20 Watts	dBc	< -165

PACKAGING INFORMATION

Package Quantity		1
------------------	--	---

[External Document Links](#)

[Notes](#)