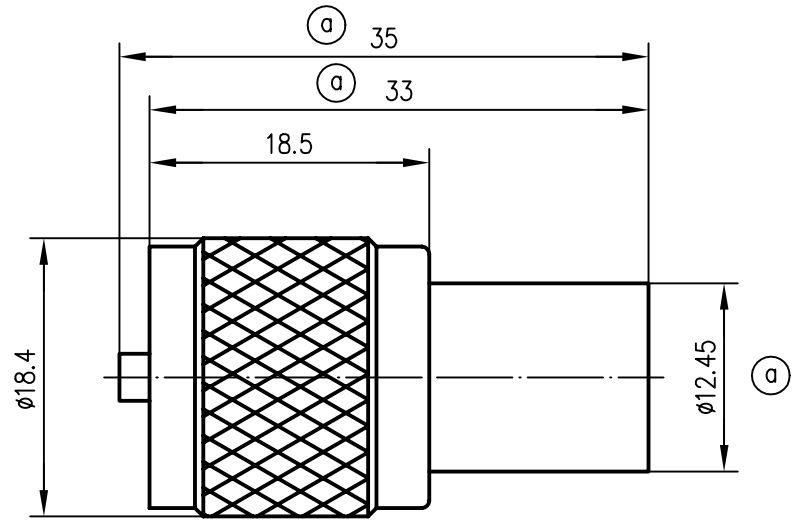

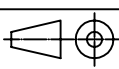


Anschlußmaße nach IEC 169-12 / mating face according to IEC 169-12



| | | |
|---|-------------|--------|
| Außenleiter / outer conductor | CuZn39Pb3 | Cu2Ni5 |
| Innenleiter / inner conductor | CuZn38Pb1.5 | Cu2Ag5 |
| sonstige Metallteile / other metalparts | CuZn39Pb3 | Cu2Ni5 |
| Isolierung / insulator | PTFE | |
| Kabel / cable | RG-214/U | |
| Montage / assembly | B0612 | |

| | | | | | | | |
|---|-------|----------|----|--|---------------------------------------|---------------------------|---|
| a | 11342 | 29.03.00 | BA | 99 | Datum/date | Name/name | Werkstoff/ material |
| | | | | gez./drawn | 17.03. | BA | |
| | | | | gepr./appr. | 18.03.99 | BJ | Oberfläche/ finish |
| | | | | Norm/stand. | | | |
| | | | | Maßstab/scale | Benennung/title | |  |
| | | | | 2:1 | UHF-Kabelstecker UHF-Straight Plug | | |
| | | | | untol. Maße/ dim. without tolerances according to | Untert./doc.type | Zeichnungsnr./drawing no. |  Maße/dimensions: mm |
| | | | | K | | J01040A0010 | |
| | | | | Ersatz für/ replaces | | | Original: DIN A4 |