

Assembly instructions



Grounding Kit SSB / Item no.: 6810-6813

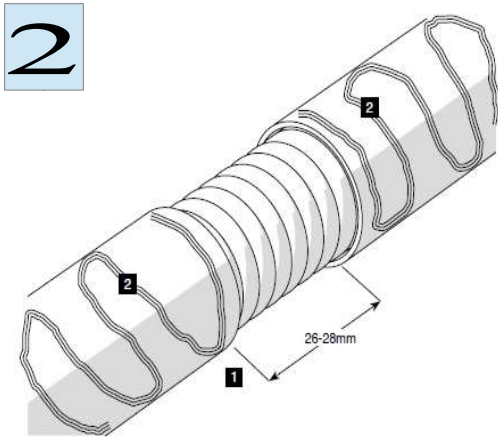
Required tools:

1 x 5 mm Hex Key

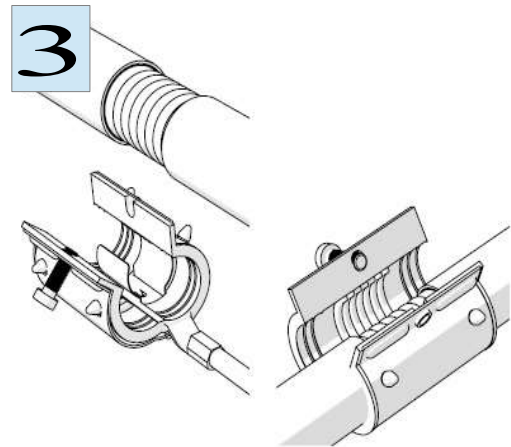
1 x Cutter knife

1 Connection instructions

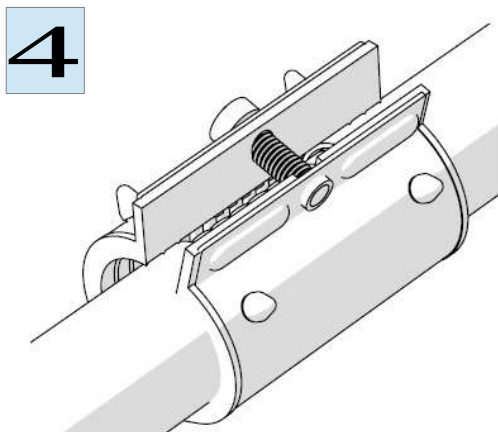
Connect the grounding clamp to the equipotential bonding bar or the earth potential using the shortest possible cable.



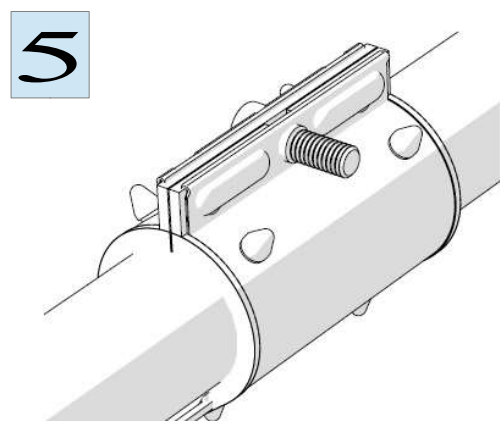
Strip off the jacket of the coaxial cable approx. 26-28 mm using the cutter knife.



Insert the coaxial cable in the open grounding clamp.



Close the grounding clamp and tighten the screw.



Done in a few seconds!