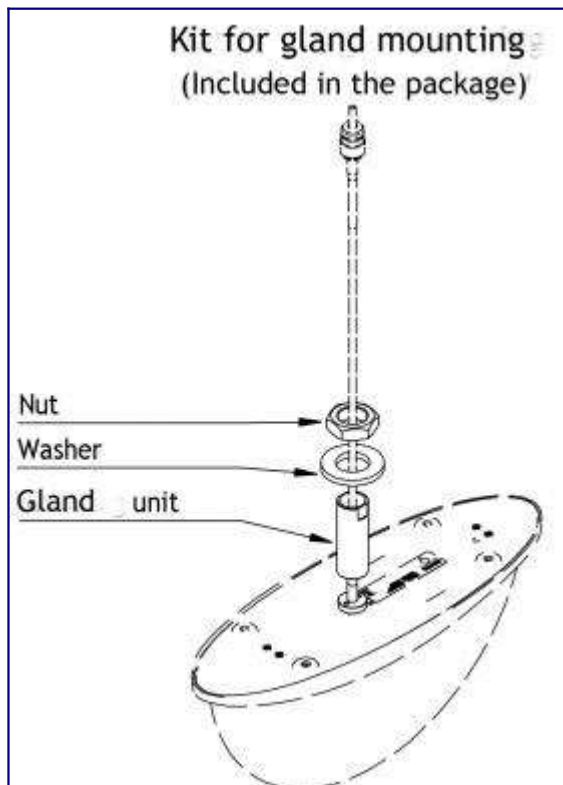
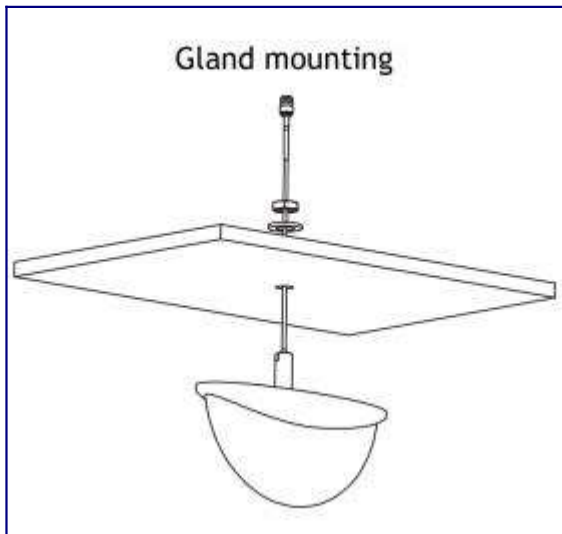


## INSTALLATION - METHOD A (Gland installation)

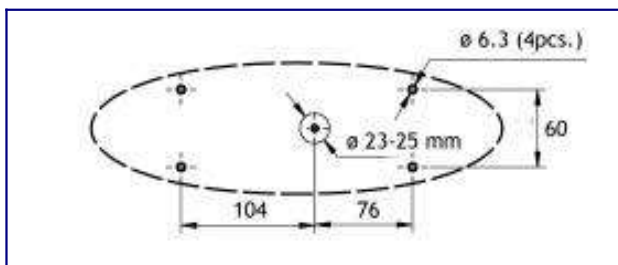
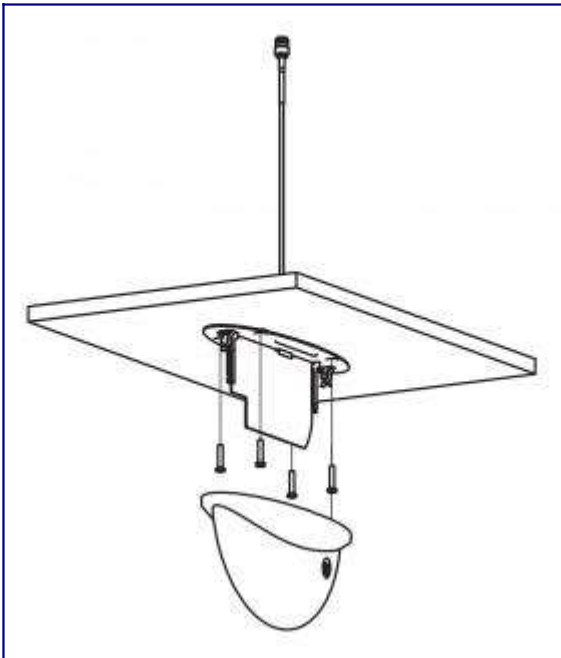
(Ceiling thickness 3-44 mm)

- Screw the gland unit on to the bottom.
- Drill a hole in the ceiling (ø23 - 25mm).
- Pull the cable through the hole.
- Mount the antenna with the nut and the washer



## INSTALLATION - METHOD B

- Separate the radome part (white plastic) from the base part by pulling the 2 parts from each other.
- Drill 5 holes in the ceiling. 4 pcs.  $\varnothing 6.3$  mm and 1 pcs.  $\varnothing 23 - 25$  mm.
- Pull the cable through the  $\varnothing 23$  mm hole.
- Mount the base part to the ceiling with 4 screws (e.g. M6 screws) Screw height max 5 mm.
- Snap the radome part to the base part



# ANTENNA DIMENSIONS

