

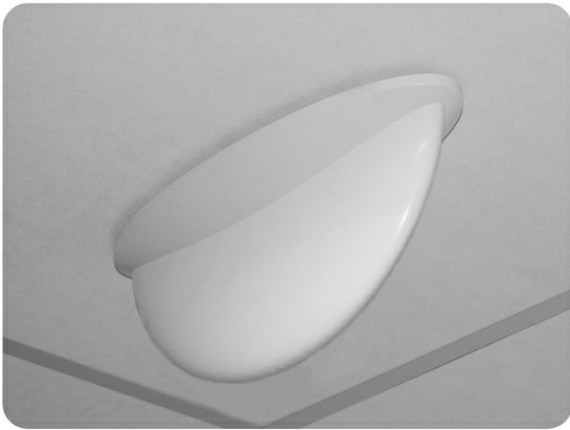
## UWB-I 380-6000

Ultra Wideband Omnidirectional Antenna capable of supporting TETRA, GSM, DCS, PCS, UMTS, WiFi 2.4 an

- > Ground plane independent indoor DAS antenna .
- > Omnidirectional coverage for the 380 - 6000 MHz band.
- > Installation from above or below the ceiling.

### DESCRIPTION

- > Provided with external coaxial cable with N-female connector.
- > No need for external ground plane.
- > Two installation options.



### ORDERING DESIGNATIONS

TYPE	PRODUCT NO.
UWB-I 380-6000	10000545

**INSTALLATION - METHOD A (GLAND INSTALLATION)**

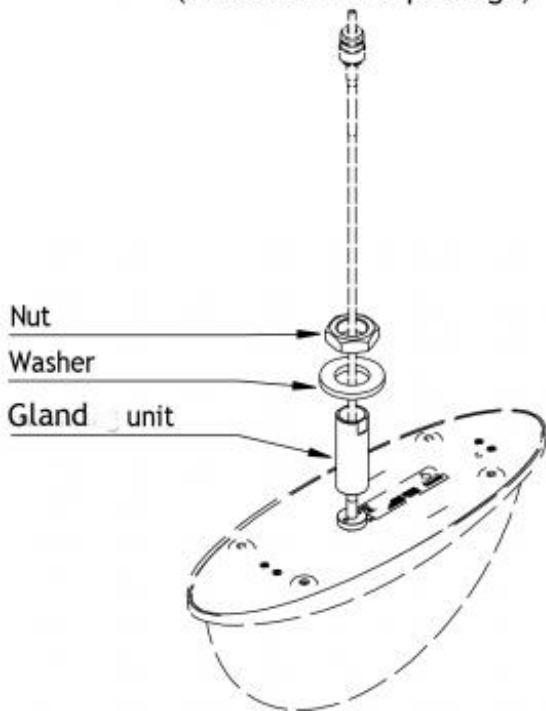
(Ceiling thickness 3-44 mm)

- Screw the gland unit on to the bottom.
- Drill a hole in the ceiling (ø23 - 25mm).
- Pull the cable through the hole.
- Mount the antenna with the nut and the washer

**Gland mounting**

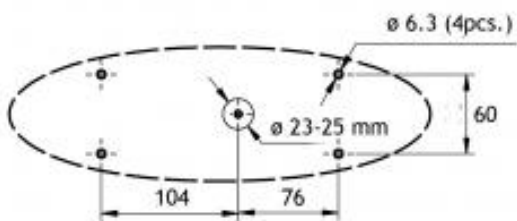
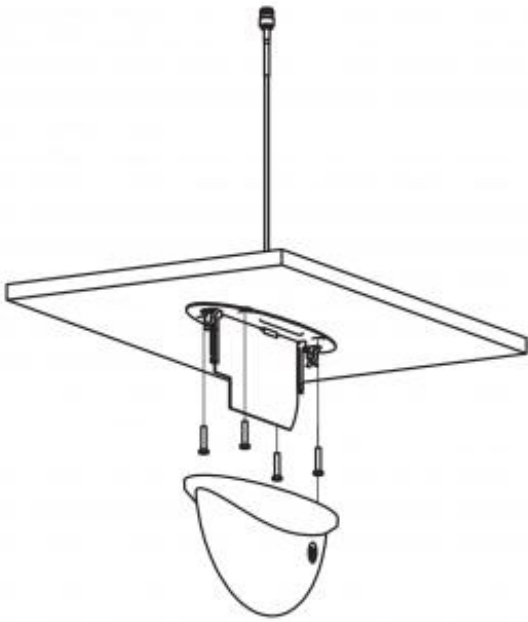


**Kit for gland mounting**  
(Included in the package)

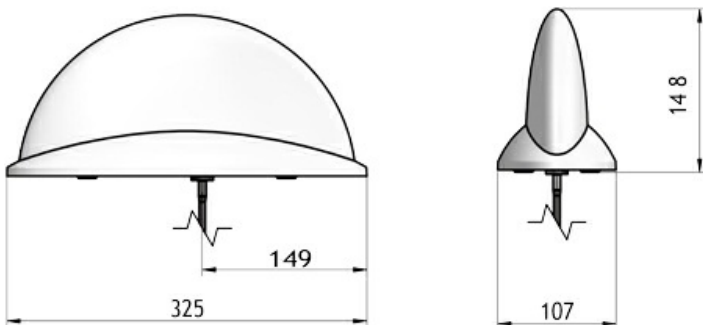


## INSTALLATION - METHOD B

- Separate the radome part (white plastic) from the base part by pulling the 2 parts from each other.
- Drill 5 holes in the ceiling. 4 pcs.  $\varnothing 6.3$  mm and 1 pcs.  $\varnothing 23 - 25$  mm.
- Pull the cable through the  $\varnothing 23$  mm hole.
- Mount the base part to the ceiling with 4 screws (e.g. M6 screws)  
Screw height max 5 mm.
- Snap the radome part to the base part



## ANTENNA DIMENSIONS





## SPECIFICATIONS

ELECTRICAL			
MODEL	UWB-I 380-6000		
ANTENNA TYPE	Low profile multiband		
FREQUENCY	380 - 6000 MHz		
IMPEDANCE	Nom. 50 $\Omega$		
POLARIZATION	Linear (Vertical polarized)		
COVERAGE	Omnidirectional		
GAIN	Approx. 0 dBi		
SWR	TETRA	380-470 MHz	$\leq 2$
	4G LTE	698-960 MHz	$\leq 2$
		2500-2700 MHz	$\leq 2$
	GSM	880-960 MHz	$\leq 2$
		1710-1880 MHz	$\leq 2$
	UMTS	1910-2200 MHz	$\leq 2$
WiFi	2400-2500 MHz	$\leq 2$	
WiMax	5000-6000 MHz	$\leq 2$	
MAX. POWER	50 W		
IM3	< - 140 dBc (2 x 37 dBm)		
MECHANICAL			
MATERIALS	Radome: Lexan Flame retardent: UL 94 HB recognized Chasis : Aluminium		
CABLE	RG400 (length : 400 mm)		
COLOUR	White (RAL 9003)		
CONNECTOR	N-female		
HEIGHT	146 mm (ex. connector)		
WIDTH / DEPTH	107 / 325 mm		
WEIGHT	Approx. 650 g		
ENVIRONMENTAL			
TEMP. RANGE	-30° C $\rightarrow$ +70° C		

