



EMP-MB

Mounting Bracket for EMP Protectors Inline Types

Mounting bracket for overvoltage protection devices or other components with 7-16 bulkhead connectors, if they shall be attached to a wall or a cable tray.

FEATURES / BENEFITS



EMP-MB

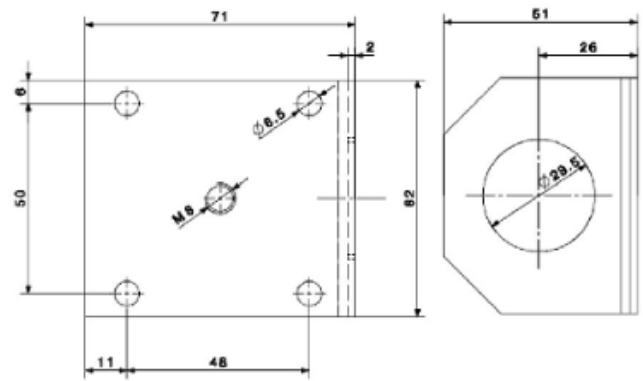
External Document Links

Notes

Technical features

PACKAGING INFORMATION

Package Quantity		1
------------------	--	---



EMP-MB Outline Drawing