



RFS cold shrink tubes provide a additional sealing of feeder connections. With the included foam strips a sealing class IP68 is guaranteed even with scratches on the jacket surface.

The materials are selected for a long-term outdoor use.

FEATURES / BENEFITS

- RFS offers a timesaving and easy way to secure a waterproof protection.
- No tools are necessary for installation.
- The shrinking process is done by simply unwinding a removable core.



Technical features

STRUCTURE

Product Line		Coaxial Cable Accessories
Product Type		Weather Seal Kit
Coaxial Cable Type		Foam Dielectric

MECHANICAL SPECIFICATIONS

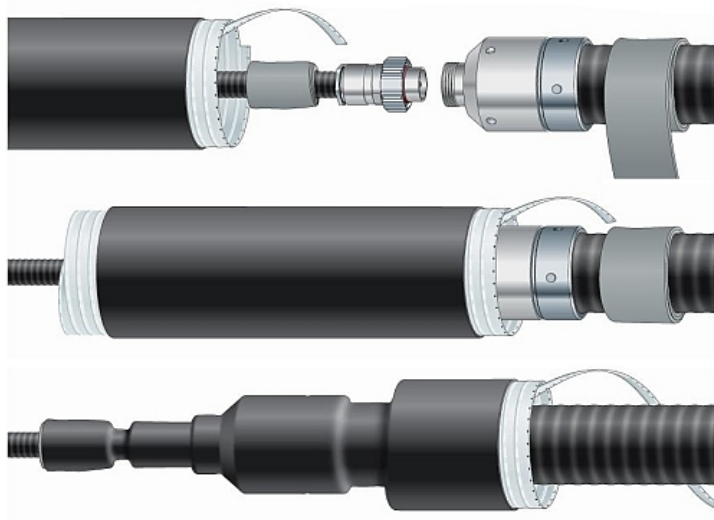
Mated to Cable Size and Interface		1/2" to 5/8", 5/8" to 7/8", up to and including 7-16 DIN connectors
Color		Black
Material		Cold shrink tube: Made of EPDM rubber Foam strips: Made of self bonding Foam PE
Sealing Class		IP68
Length	mm (in)	254 (10)

TEMPERATURE SPECIFICATIONS

Operation Temperature, °C(°F)	°C(°F)	-50 to 100 (-58 to 212)
Storage Temperature	°C(°F)	-50 to 100 (-58 to 212)

PACKAGING INFORMATION

Package Quantity		1
------------------	--	---



[External Document Links](#)
[Installation Instruction](#)

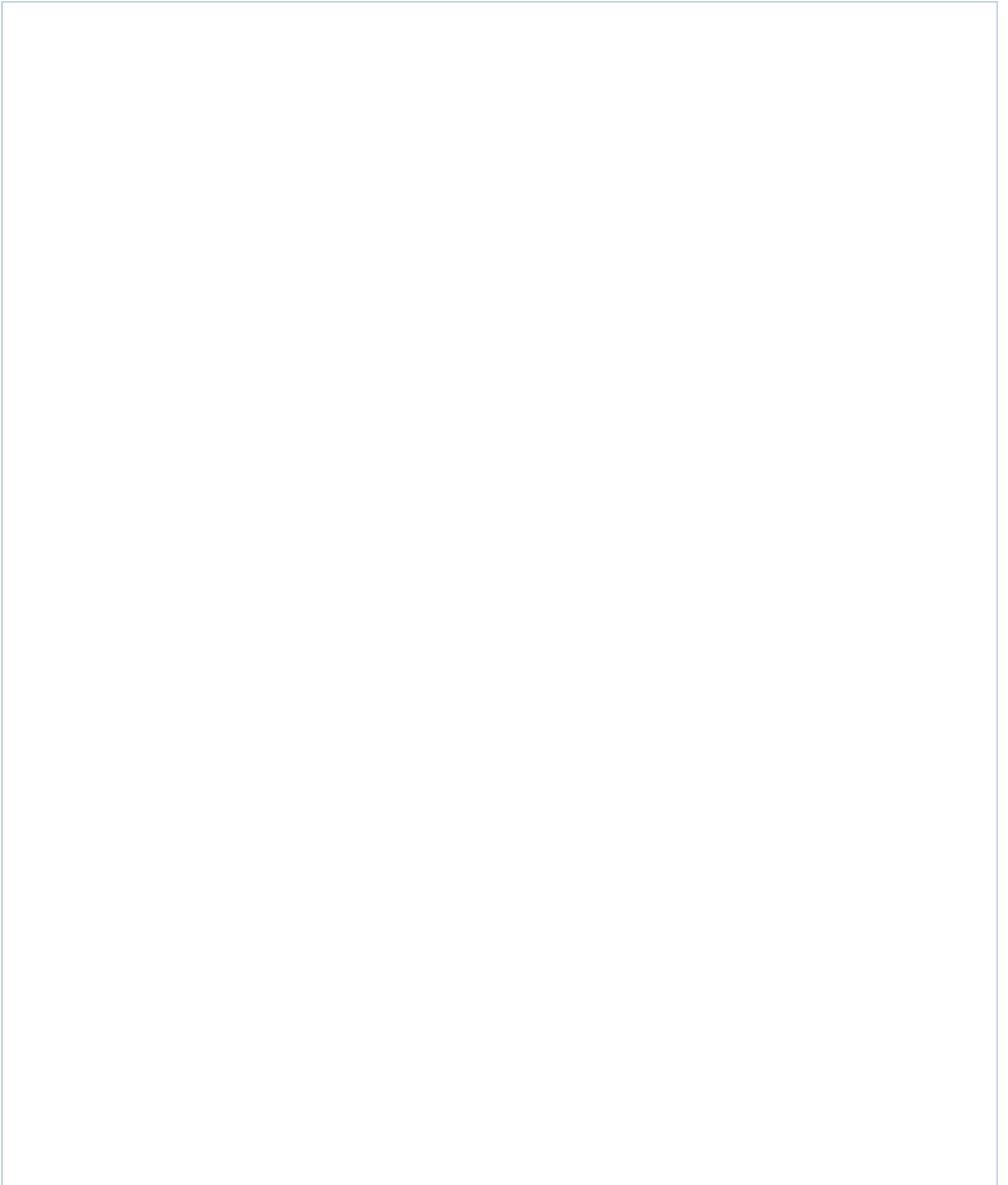
[Notes](#)



PRODUCT DATASHEET

COLD-021

Cold shrink tube, 1/2" to 5/8", 5/8" to 7/8"



COLD-021

REV : G

REV DATE : 12 Feb 2012

www.rfsworld.com