



OMNI FIT™ high performance connectors are designed for use with both CELLFLEX® (copper) and CELLFLEX® Lite (aluminum) cables. They are designed specifically to provide the highest quality connector-cable interface while simplifying and speeding up connector attachment.

FEATURES / BENEFITS

- Cost effective two-piece design for safe and easy installation
- Compatible with copper and aluminium cable types i.e. one connector for both outer conductor materials eliminates the risk of faulty connector installation and helps to keep inventory down
- Robust mechanical design for low and consistent intermodulation performance i.e. keeps the mobile network performance up reduces the number of dropped calls and avoids revenue losses
- Superior electrical performance for consistent and repeatable VSWR i.e. ensure network system performance
- Waterproof to IP 68 i.e. no downtime risk, secures revenue
- RoHS (EU) and CRoHS (China) compliant i.e. can be used on a global basis



NF-LCF12-C03

Technical features

GENERAL SPECIFICATIONS

| | | | | |
|------------------------|--|--------------------|-----------------|-----------------|
| Transmission Line Type | | Coaxial Cable | | |
| Cable Size | | 1/2 | | |
| Cable Type | | Foam Dielectric | | Radiating |
| Model Series | | LCF12-50 Series | ICA12-50 Series | RCF12-50 Series |
| Connector Interface | | N | | |
| Connector Type | | OMNI FIT™ Standard | | |
| Sealing Method | | O-ring | | |
| Gender | | Female | | |

ELECTRICAL SPECIFICATIONS

| | | | | |
|-----------------------------------|-----------|---|--|--|
| Nominal Impedance, ohms | Ohm | 50 | | |
| 3rd Order IM Product @ 2x20 Watts | dBc | -157 ; typical -160 | | |
| Maximum Frequency | GHz | 6.0 | | |
| VSWR, Return Loss | VSWR (dB) | 0 < f ≤ 1.0 GHz: 1.03 (36.6) 1.0 < f ≤ 2.7 GHz: 1.04 (34.1) 2.7 < f ≤ 3.7 GHz: 1.08 (28.3) 3.7 < f ≤ 5.0 GHz: 1.15 (23.1) 5.0 < f ≤ 6.0 GHz: 1.25 (19.1) | | |

MECHANICAL SPECIFICATIONS

| | | | | |
|--------------------------|---------|-----------------|--|--|
| Plating Outer/Inner | | Trimetal/Silver | | |
| Length | mm (in) | 55.3 (2.2) | | |
| Outer Diameter | mm (in) | 22 (0.87) | | |
| Inner Contact Attachment | | Spring Finger | | |
| Outer Contact Attachment | | Spring C-Ring | | |

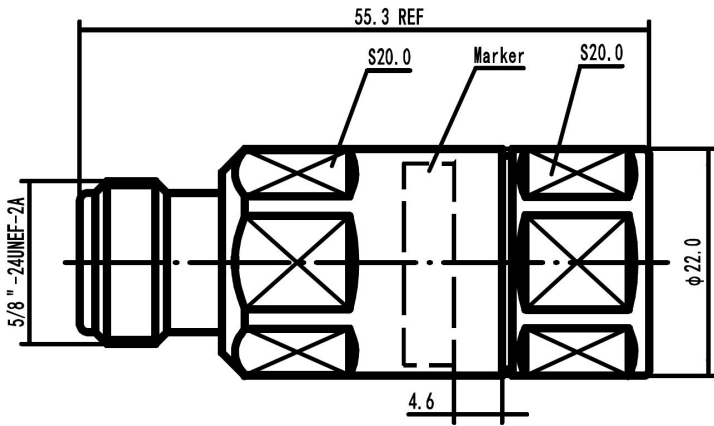
ACCESSORIES

| | | | | |
|-------------------|---------|------------------|--|--|
| Wrench size front | mm (in) | 20 (13/16) | | |
| Wrench size rear | mm (in) | 20 (13/16) | | |
| Trimming Tool | | TRIM-SET-L12-C02 | | |



TESTING AND ENVIRONMENTAL

| | | |
|------------------|--|------|
| Waterproof Level | | IP68 |
|------------------|--|------|



NF-LCF12-C03 Outline drawing

External Document Links

[Installation Instruction](#)

Notes