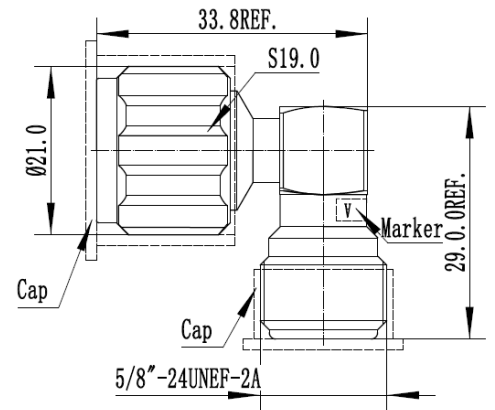




Coaxial Adapter N male - female, right angle

FEATURES / BENEFITS



External Document Links

Notes

Technical features

STRUCTURE

Product Line		Coaxial Cable Components
Product Type		Coaxial Adapter

MECHANICAL SPECIFICATIONS

Connector A		N Male
Center Contact Connector A		Brass, silver plated
Outer Contact Connector A		Brass, Tri metal alloy plated
Connector B		N Angle Female
Center Contact Connector B		Phosphor Bronze, silver plated
Outer Contact Connector B		Brass, Tri metal alloy plated
Dielectric		PTFE
Sealing class		IP68, connected

ELECTRICAL SPECIFICATIONS

Frequency Range - MHz		DC - 6000
VSWR, Return Loss	VSWR (dB)	0-2000 MHz: 1.05 (32.25) 2000 - 3000 MHz: 1.08 (28.3) 3000 - 6000 MHz: 1.12 (24.94)
Insertion Loss, dB (Max)	dB	0.05
3rd Order IM Product @ 2x20 Watts	dBc	< -163

TEMPERATURE SPECIFICATIONS

Operation Temperature	°C (°F)	-45 to 85 (-49 to 185)
-----------------------	---------	------------------------

PACKAGING INFORMATION

Package Quantity		1
------------------	--	---