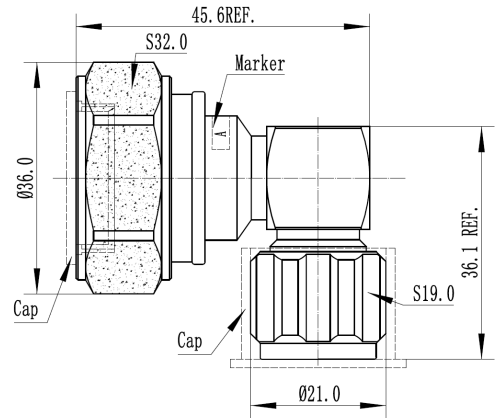




Coaxial Adapter 7-16 Male - N Male with right angle

**FEATURES / BENEFITS**



**Technical features**

**STRUCTURE**

Product Line		Coaxial Cable Components
Product Type		Coaxial Adapter

**MECHANICAL SPECIFICATIONS**

Connector A		7-16 Female
Center Contact Connector A		Brass, silver plated
Outer Contact Connector A		Brass, Tri metal alloy plated
Connector B		4.3-10 Female
Center Contact Connector B		Brass, silver plated
Outer Contact Connector B		Brass, Tri metal alloy plated
Dielectric		PTFE
Sealing class		IP68, connected

**ELECTRICAL SPECIFICATIONS**

Frequency Range - MHz		DC - 6000
VSWR, Return Loss	VSWR (dB)	DC TO 2 GHz VSWR 1.05 (32.25) 2 TO 3 GHz VSWR 1.08 (28.3) 3 TO 6 GHz VSWR 1.12 (24.94)
Insertion Loss, dB (Max)	dB	0.05
3rd Order IM Product @ 2x20 Watts	dBc	< -163

**TEMPERATURE SPECIFICATIONS**

Operation Temperature	°C (°F)	-40 to 85 (-40 to 185)
-----------------------	---------	------------------------

**PACKAGING INFORMATION**

Package Quantity		1
------------------	--	---

[External Document Links](#)

[Notes](#)